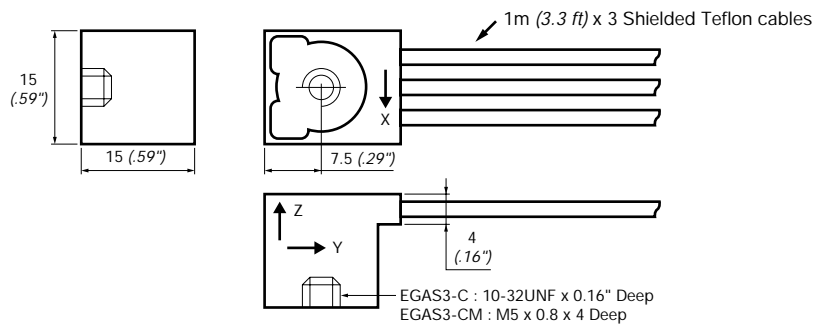


# Specifications



## TRIAXIAL EGAS3

### EGAS3-C & EGAS3-CM

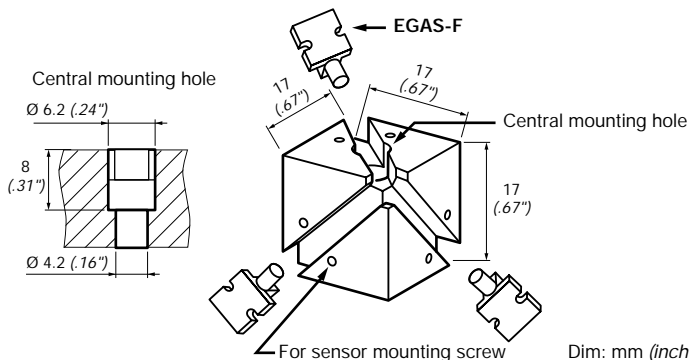
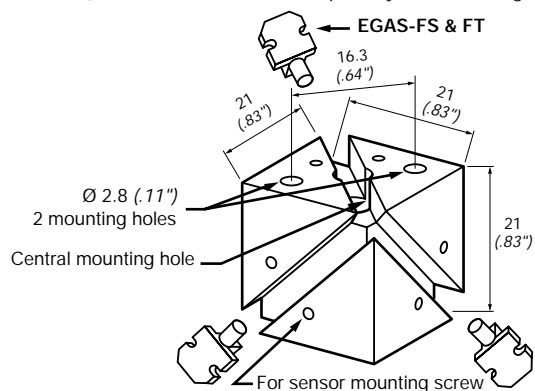


Dim: mm (inches)

## Triaxial Mounting Blocks for up to 3 Single Axis EGAS

MTG-F2 (Purchase Accelerometers separately from mounting blocks)

MTG-F3 (Purchase Accelerometers separately from mounting blocks)



Dim: mm (inches)

## EGAS3 Multiaxial Series - Specifications for each individual axis

<b>g</b> <b>RANGES</b> "FS"	<b>g</b> <b>OVERRANGE</b> <b>LIMIT</b>	<b>FREQUENCY</b> <b>RESPONSE ±1/2dB</b> <b>nom./min.</b>	<b>NATURAL</b> <b>FREQUENCY</b> <b>nom.</b>	<b>SENSITIVITY</b> <b>mV/g nom.</b>	<b>OUTPUT</b> <b>"FSO"</b> <b>mV nom.</b>
± 5	± 500	0 to 150/80 Hz	300 Hz	20	± 100
± 10	± 1000	0 to 200/120 Hz	400 Hz	10	± 100
± 25	± 2500	0 to 400/240 Hz	800 Hz	4	± 100
± 50	± 5000	0 to 600/350 Hz	1200 Hz	2	± 100
± 100	± 10000	0 to 900/500 Hz	1800 Hz	1	± 100
± 250	± 10000	0 to 1300/750 Hz	2600 Hz	0.4	± 100
± 500	± 10000	0 to 1750/1000 Hz	3500 Hz	0.2	± 100
± 1000	± 10000	0 to 2500/1500 Hz	5000 Hz	0.1	± 100
± 2500	± 10000	0 to 3500/2000 Hz	7000 Hz	0.04	± 100

**EXCITATION:** 15VDC  
**IMPEDANCE IN:** 1300 Ω nom. typ.  
**IMPEDANCE OUT:** 1500 Ω nom.  
**COMB. NON-LINEARITY & HYSTERESIS:** ± 1%  
**TRANSVERSE SENSITIVITY:** 2% max  
**DAMPING RATIO AT 20°C (70°F):** 0.7 nom. (0.5 to 0.9)  
**OVERRANGE STOPS:** Integral  
**THERMAL ZERO SHIFT:** ± 1mV/50°C (± 1mV/100°F)  
**THERMAL SENSITIVITY SHIFT (TSS):** ± 2.5%/50°C (± 2.5%/100°F)  
**OPERATING TEMPERATURE:** -40°C to 120°C (-40°F to 250°F)  
**COMPENSATED TEMPERATURE:** 20°C to 80°C (70°F to 170°F)  
**ZERO OFFSET AT 20°C (70°F):** ± 15mV typ.

Entran®



TITLE  
**EGAS3 ACCELEROMETERS**  
**Triaxial Miniature**  
**Rugged**

Entran Devices, Inc.  
 FAIRFIELD, NJ, USA

SPECIFICATION NUMBER	ISSUE	PAGE
EGAS3S01U	PA1	1 of 2

## Options and Accessories (for all individual axes):

<b>COMPENSATED TEMPERATURE RANGES:</b>	<b>STANDARD</b> Z1 Z2 Z4 Z*	<b>= 20°C to 80°C (70°F to 170°F)</b> = -20°C to 40°C (0°F to 100°F) = 0°C to 60°C (32°F to 140°F) = 40°C to 90°C (100°F to 200°F) = Non-standard, contact Entran
<b>EXCITATION VOLTAGE:</b>	<b>STANDARD</b> V00  V*	<b>= 15VDC</b> = Replace "00" with Excitation between 1 and 15. If less than 15, Sensitivity (FSO) will decrease accordingly. = Non-standard Excitation with standard FSO and non-standard TSS, contact Entran.
<b>SPECIAL LEAD LENGTH:</b>	L00F L00M	= Replace "00" with total length in feet. = Replace "00" with total length in meters.
<b>CONNECTOR WIRED TO LEADS OR CABLE:</b>	C RS	= Microtech type male (w/o mate) = RJ Telephone type male for cable (w/o mate)
<b>MATING CONNECTORS FOR CONNECTOR OPTIONS:</b>	See Cable and Connector Bulletins	

## Model Number construction:

<b>EGAS3</b> Series	<b>-C</b> Housings	-	<b>10</b> Range <b>X Axis</b>	/50 Range Y Axis	/50 Range Z Axis	-	<b>/Z1/L2M/RS</b> Options applied to all axes C or RS L00F or L00M V1 thru V15 or V* Z1,Z2,Z4, or Z*
			<b>(For all axes if Y and Z are blank)</b>				
<u>Mounting Blocks</u>							
MTG-F2							
MTG-F3							

## Wiring for each separate axis:

